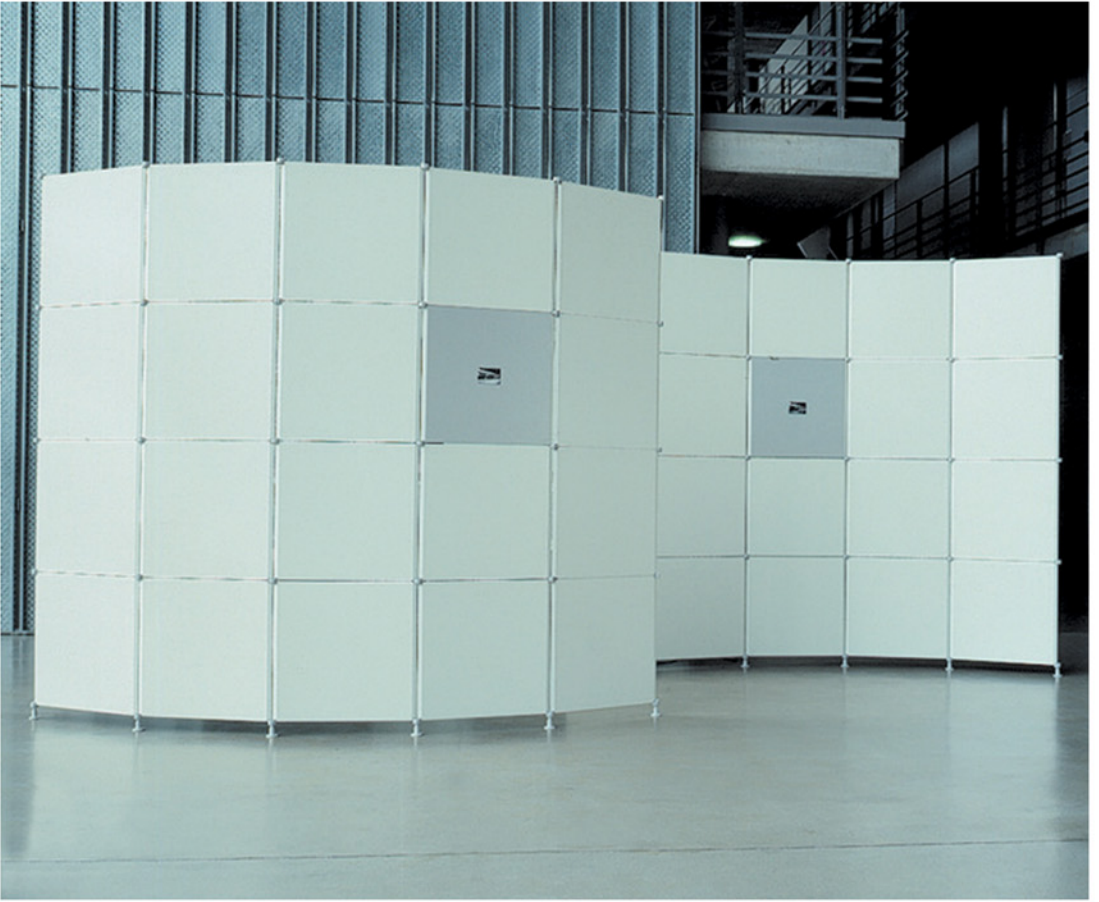


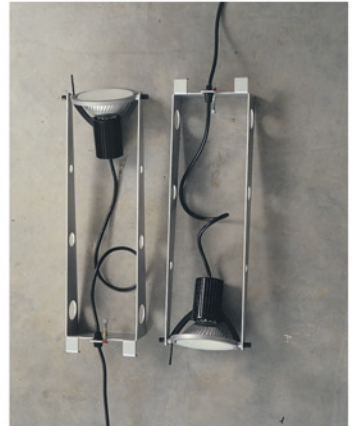
L_4 System *Flexible and portable*



Business success is measured by speed. If you want to keep up with the pace, you have to keep moving. Here, one system, which is always up-to-date: Leitner_4 makes short-term presentations in professional surroundings possible.

Leitner_4 can be transported without a problem in your car and for stand-alone presentations it makes an impression everywhere, even in the smallest rooms. Then you can move quickly on to the next show - the lightweight panels can be assembled, disassembled or configured in just a few minutes.

The case contains everything: connectors, vertical levellers, lightweight panels, trays, brochure racks and lighting kit comfortably inside. Leitner_4 grows with your tasks: platforms and storage space open new dimensions.



4 Monkspound street, Northampton, NN1 2LF

Tel: 01604 230445

www.leitner.co.uk

L_4 System *Flexible and portable*

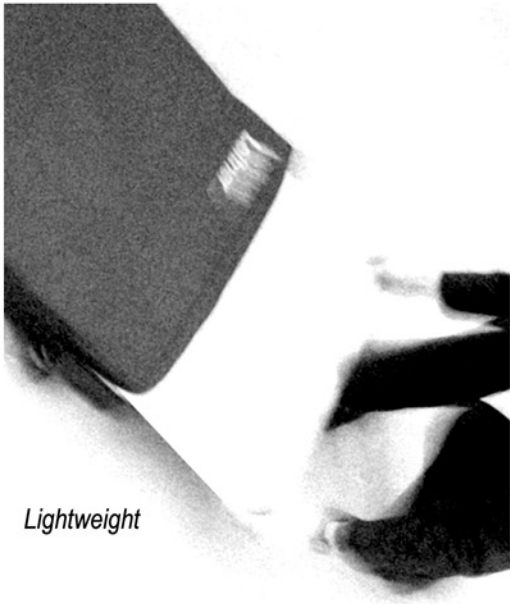


4 Monkspound street, Northampton, NN1 2LF

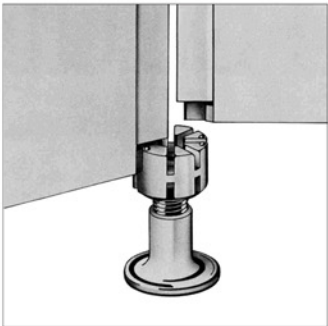
Tel: 01604 230445

www.leitner.co.uk

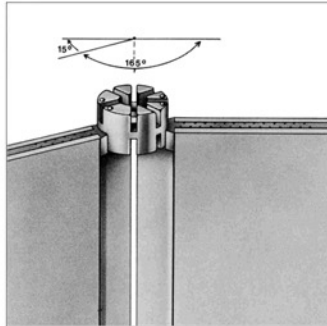
L_4 System *Flexible and portable*



First



Second



Third



4 Monkspond street, Northampton, NN1 2LF

Tel: 01604 230445

www.leitner.co.uk